

## General Description

The AOZ8015 is a 6-line device integrating EMI filtering with ESD protection for each line. It is designed to suppress unwanted EMI/RFI signals and provide electrostatic discharge (ESD) protection in portable electronic equipment. This state-of-the-art device utilizes AOS leading edge Trench Vertical Structure [TVS]<sup>2</sup>™ technology for superior clamping performance and filter attenuation over the full operating display range. The AOZ8015 has been optimized for protection of color LCD displays and CCD camera lines in cellular phones and other portable consumer electronic devices.

The AOZ8015 consists of six identical circuits comprised of TVS diodes for ESD protection, and a resistor-capacitor network for EMI/RFI filtering. A series resistor value of 100Ω and a capacitance value of 20pF are used to achieve -30dB minimum attenuation from 800MHz to 3.0GHz. The TVS diodes provide effective suppression of ESD voltages in excess of ±17kV (air discharge) and ±17kV (contact discharge). This exceeds IEC 61000-4-2, level 4 ESD immunity test.

The AOZ8015 comes in an RoHS compliant, 1.35mm x 3.0mm DFN package and is rated over a -40°C to +85°C ambient temperature range.

## Features

- 6 lines for EMI filtering and ESD protection:
  - Exceeds IEC 61000-4-2, level 4 (ESD) immunity test
  - ±17kV (air discharge) and ±17kV (contact discharge)
- Trench Vertical Structure [TVS]<sup>2</sup>™ based technology used to achieve excellent ESD clamping & filter performance over the full operating display range
- Filter performance: -30dB attenuation from 800MHz to 3.0GHz
- Low operating voltage: 5.0V
- Capacitance stability over wide range of voltages and temperatures
- DFN package 1.35mm x 3.0mm
- Pb-Free device
- Green product

## Applications

- EMI filtering and ESD protection for data lines
- LCD displays, camera interface, I/O interface
- Portable handheld devices, cell phones, PDA phones



## Electrical Schematic (each channel)

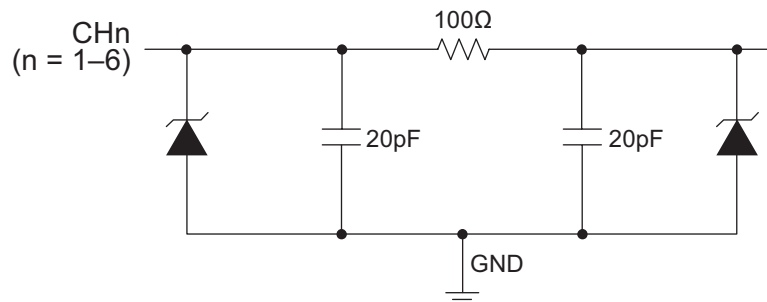


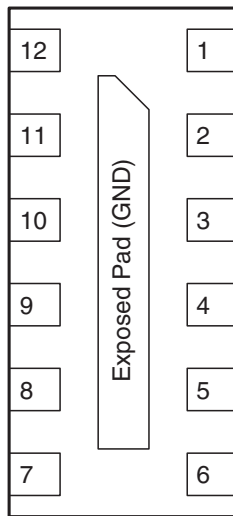
Figure 1.

## Ordering Information

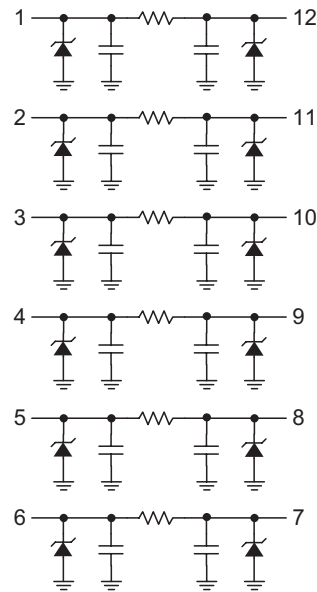
Part Number	Ambient Temperature Range	Package	Environmental
AOZ8015DIL	-40°C to +85°C	DFN-12	RoHS Compliant Green Product

- All AOS products are offered in packages with Pb-free plating and compliant to RoHS standards.
  - Parts marked as Green Products (with "L" suffix) use reduced levels of Halogens, and are also RoHS compliant.
- Please visit [www.aosmd.com/web/quality/rohs\\_compliant.jsp](http://www.aosmd.com/web/quality/rohs_compliant.jsp) for additional information.

## Pin Configuration



**DFN-12**  
(Bottom View)



**Top View**

## Pin Description

Pin Number	Pin Name	Pin Function
1,12	CH 1	Channel 1 Connections
2, 11	CH 2	Channel 2 Connections
3, 10	CH 3	Channel 3 Connections
4, 9	CH 4	Channel 4 Connections
5, 8	CH 5	Channel 5 Connections
6, 7	CH 6	Channel 6 Connections
Exposed Pad	GND	Common Ground Connection

## Absolute Maximum Ratings

Exceeding the Absolute Maximum ratings may damage the device.

Parameter	Rating
Storage Temperature ( $T_S$ )	-65°C to +150°C
ESD Rating per IEC61000-4-2, contact <sup>(1)</sup>	±17kV
ESD Rating per IEC61000-4-2, air <sup>(1)</sup>	±17kV
ESD Rating per Human Body Model <sup>(2)</sup>	±30kV

### Notes:

- IEC 61000-4-2 discharge with  $C_{Discharge} = 150\text{pF}$ ,  $R_{Discharge} = 330\Omega$ .
- Human Body Discharge per MIL-STD-883, Method 3015  $C_{Discharge} = 100\text{pF}$ ,  $R_{Discharge} = 1.5\text{k}\Omega$ .

## Electrical Characteristics

$T_A = 25^\circ\text{C}$  unless otherwise specified.

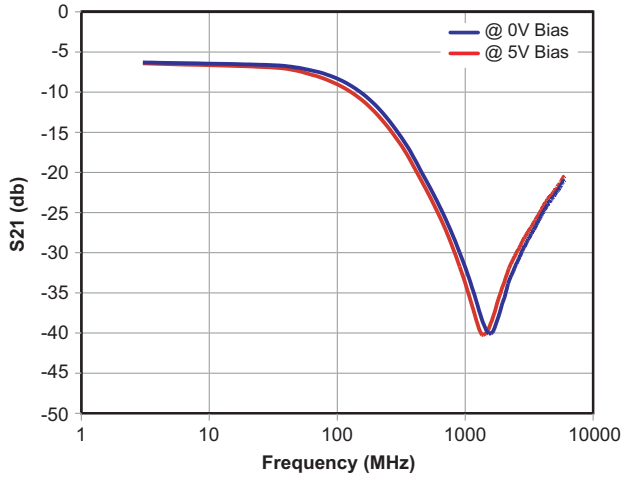
Symbol	Parameter	Conditions	Min.	Typ.	Max.	Units
$V_{RWM}$	Reverse Working Voltage	<sup>(3)(8)</sup>			5.0	V
$V_{BR}$	Reverse Breakdown Voltage	$I_T = 1\text{mA}$ <sup>(4)</sup>	6	7	8	V
$I_R$	Reverse Leakage Current	$V_{RWM} = 3.3\text{V}$			0.1	μA
$V_{CL}$	Signal Clamp Voltage	$I_{LOAD} = 12\text{A}$ , positive clamp <sup>(5)(8)</sup> $I_{LOAD} = 12\text{A}$ , negative clamp <sup>(5)(8)</sup>			11 -10	V
$R_{CH}$	Total Series Resistance	$I_R = 20\text{mA}$	90	100	110	Ω
$C_{CH}$	Channel Capacitance	Input to Ground <sup>(6)(7)(8)</sup>	18	20	22	pF
$f_C$	Cut-off Frequency	Measured with 50Ω source and 50Ω load termination		100		MHz
	Attenuation from 800MHz to 3.0GHz	Measured with 50Ω source and 50Ω load termination		-30		dB

### Notes:

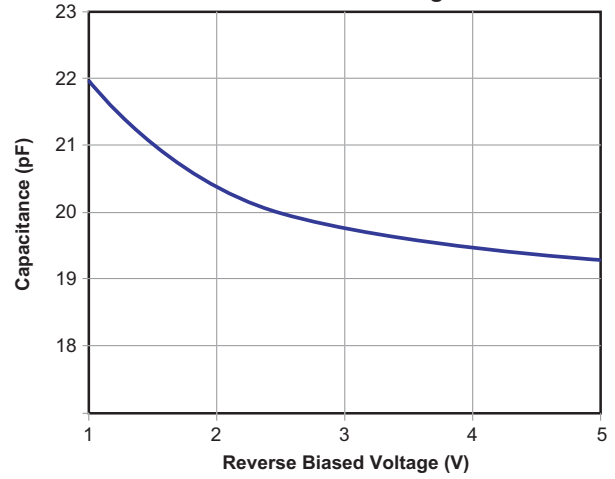
- The working peak reverse voltage,  $V_{RWM}$ , should be equal to or greater than the DC or continuous peak operating voltage level.
- $V_{BR}$  is measured at the pulse test current  $I_T$ .
- Measurements performed using a 100ns Transmission Line Pulse (TLP) system.
- Total capacitance is equal to  $2 \times C_{CH}$ .
- Measured at 25°C,  $V_R = 2.5\text{V}$ ,  $f = 1.0\text{MHz}$ .
- Guaranteed by design.

## Typical Performance Characteristics

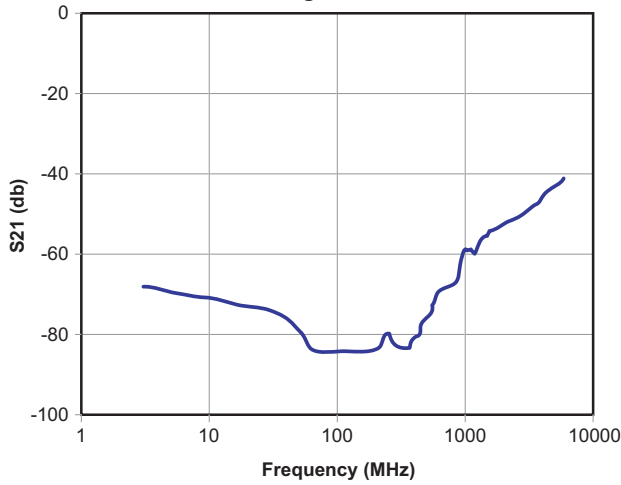
Insertion Loss Characteristics



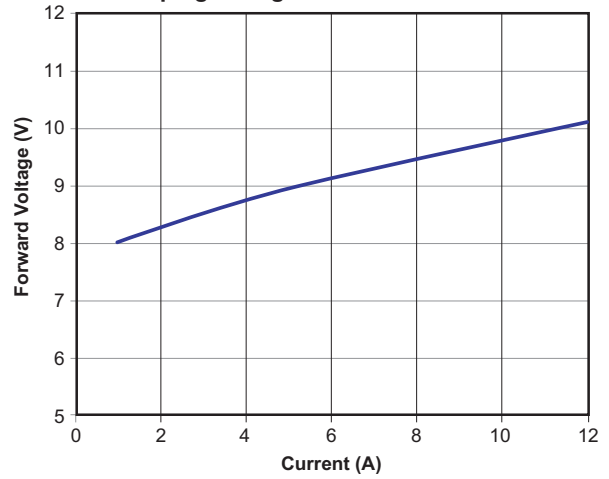
Typical Line Capacitance vs. Reverse Bias Voltage



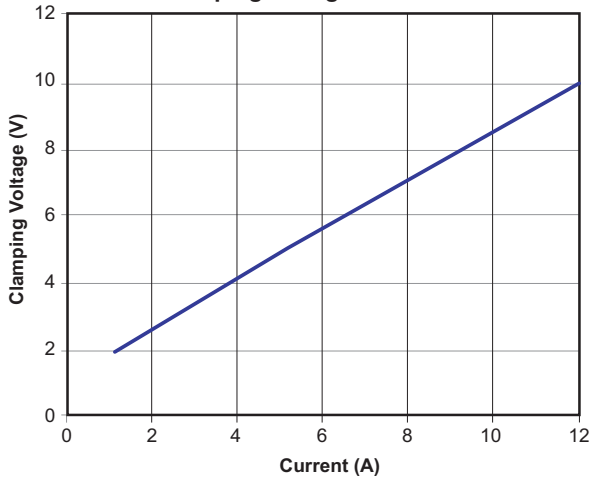
Analog Crosstalk



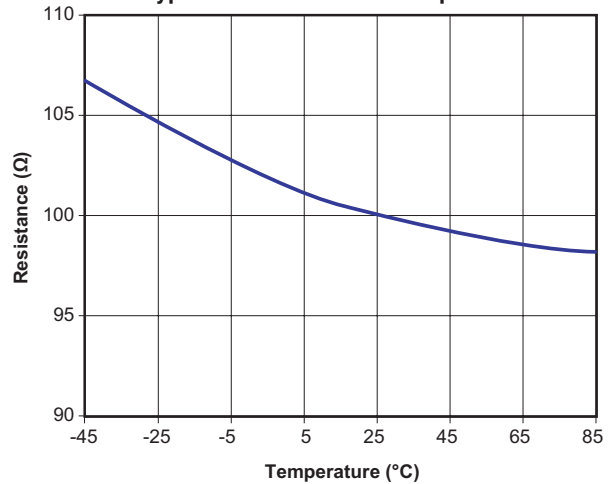
Clamping Voltage vs. Peak Pulse Current



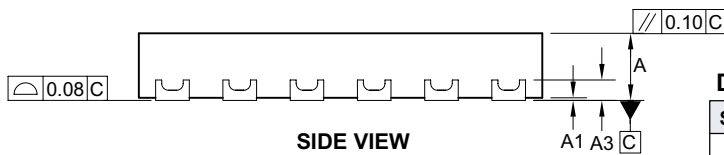
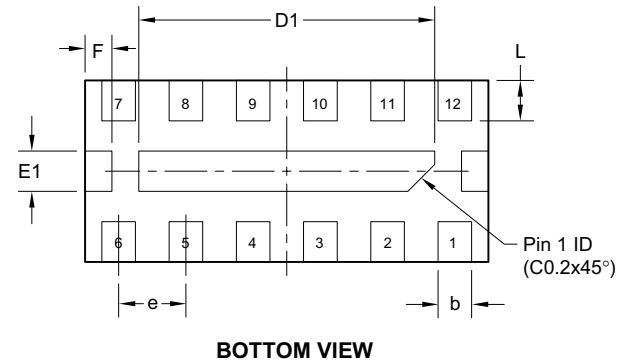
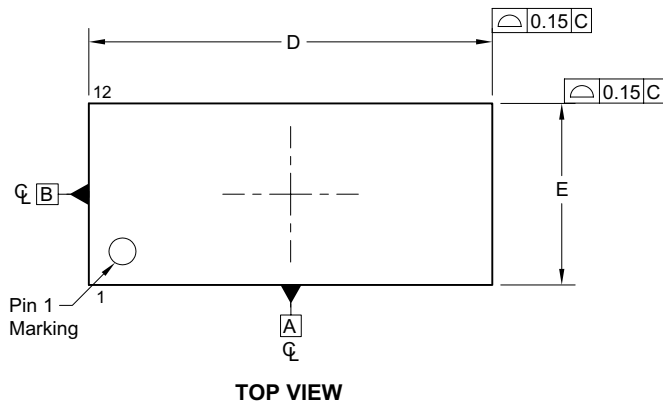
Clamping Voltage vs. Current



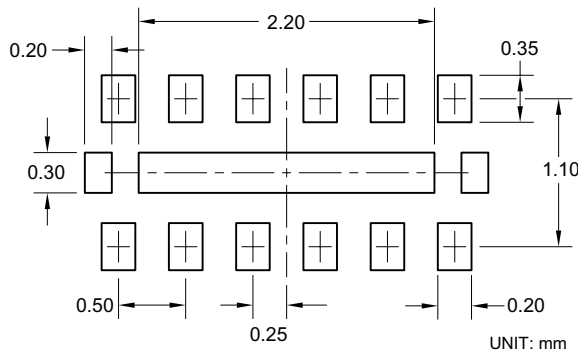
Typical Resistance vs. Temperature



Package Dimensions, DFN 1.35 x 3.0, 12L



RECOMMENDED LAND PATTERN



Dimensions in millimeters

Symbols	Min.	Nom.	Max.
A	0.45	0.50	0.55
A1	0.00	0.02	0.05
A3	0.152 REF		
b	0.20	0.25	0.30
D	2.90	3.00	3.10
D1	2.10	2.20	2.30
E	1.25	1.35	1.45
E1	0.20	0.30	0.40
e	0.50 BSC		
L	0.20	0.30	0.40
F	0.20 REF		

Dimensions in inches

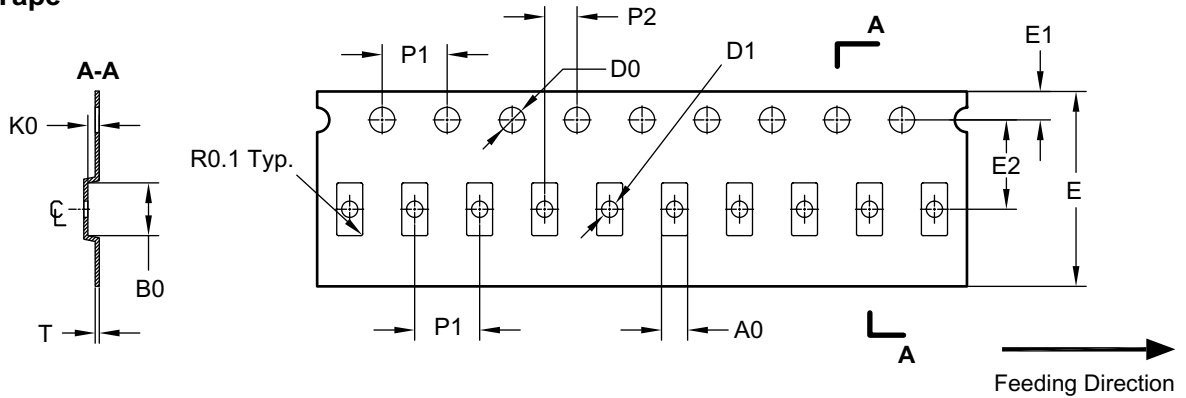
Symbols	Min.	Nom.	Max.
A	0.018	0.020	0.022
A1	0.000	0.001	0.002
A3	0.006 REF		
b	0.008	0.010	0.012
D	0.114	0.118	0.122
D1	0.083	0.087	0.091
E	0.049	0.053	0.057
E1	0.008	0.012	0.016
e	0.020 BSC		
L	0.008	0.012	0.016
F	0.008 REF		

Notes:

1. All dimensions are in millimeters. Angles is degree.
2. Coplanarity applies to the exposed pad as well as the terminals. Coplanarity shall not exceed 0.08mm.
3. Warpage shall not exceed 0.10mm.
4. Package length/package width are not considered as special characteristic.
5. Refer JEDEC MO-229.
6. Marking is for package orientation reference only.

## Tape and Reel Dimensions, DFN 1.35 x 3.0

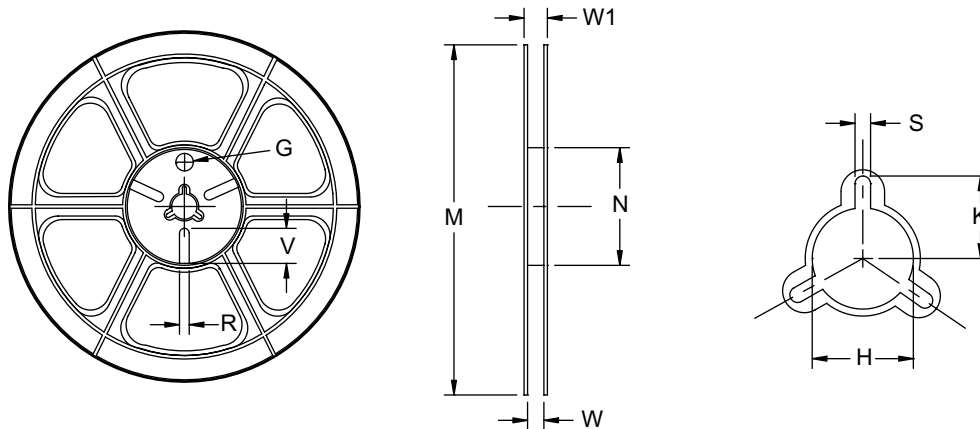
### Carrier Tape



Unit: mm

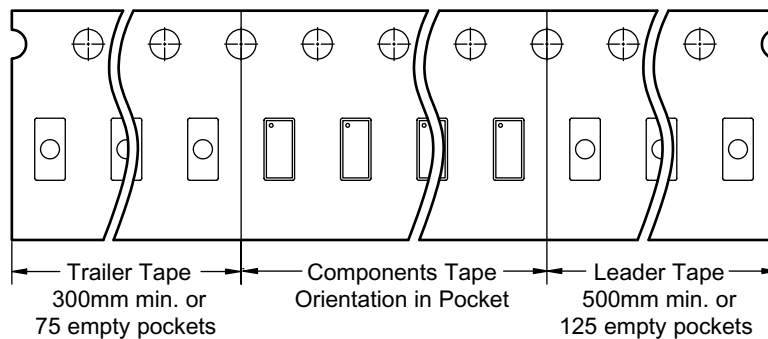
Package	A0	B0	K0	D0	D1	E	E1	E2	P0	P1	P2	T
DFN 3x1.35	1.60 ±0.10	3.25 ±0.10	0.70 ±0.10	1.55 ±0.05	1.00 +0.25/-0	12.00 ±0.30	1.75 ±0.10	5.50 ±0.05	4.00 ±0.10	4.00 ±0.10	2.00 ±0.10	0.25 ±0.05

### Reel

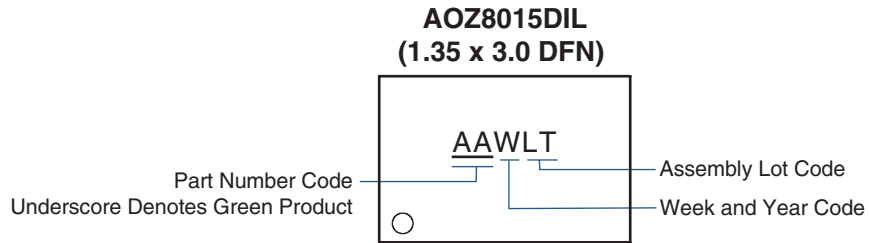


Tape Size	Reel Size	M	N	W	W1	H	K	S	G	R	V
12mm	ø330	ø330.00 ±0.50	ø97.00 ±0.10	13.00 +0.30	17.40 ±1.00	ø13.50 +0.50/-0.20	10.60	2.00 ±0.50	—	—	—

### Leader / Trailer & Orientation



## Part Marking



**This data sheet contains preliminary data; supplementary data may be published at a later date. Alpha & Omega Semiconductor reserves the right to make changes at any time without notice.**

### LIFE SUPPORT POLICY

ALPHA & OMEGA SEMICONDUCTOR PRODUCTS ARE NOT AUTHORIZED FOR USE AS CRITICAL COMPONENTS IN LIFE SUPPORT DEVICES OR SYSTEMS.

As used herein:

1. Life support devices or systems are devices or systems which, (a) are intended for surgical implant into the body or (b) support or sustain life, and (c) whose failure to perform when properly used in accordance with instructions for use provided in the labeling, can be reasonably expected to result in a significant injury of the user.
2. A critical component in any component of a life support, device, or system whose failure to perform can be reasonably expected to cause the failure of the life support device or system, or to affect its safety or effectiveness.